

PARTS MENU

DF250RTS



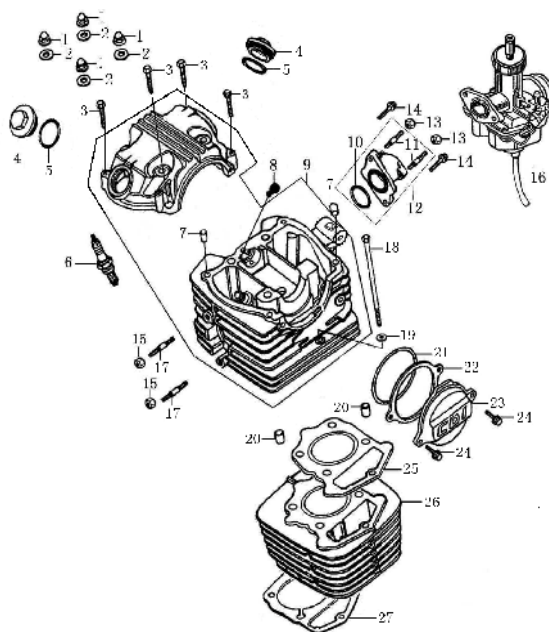
Dongfang Motor Inc

Manufacturer: Ningbo Dongfang Lingyun Vehicle Made Co.,Ltd

Please make reference to this menu when you plan to purchase the parts.
Any difference with the real vehicle, Please take the real parts as standard.

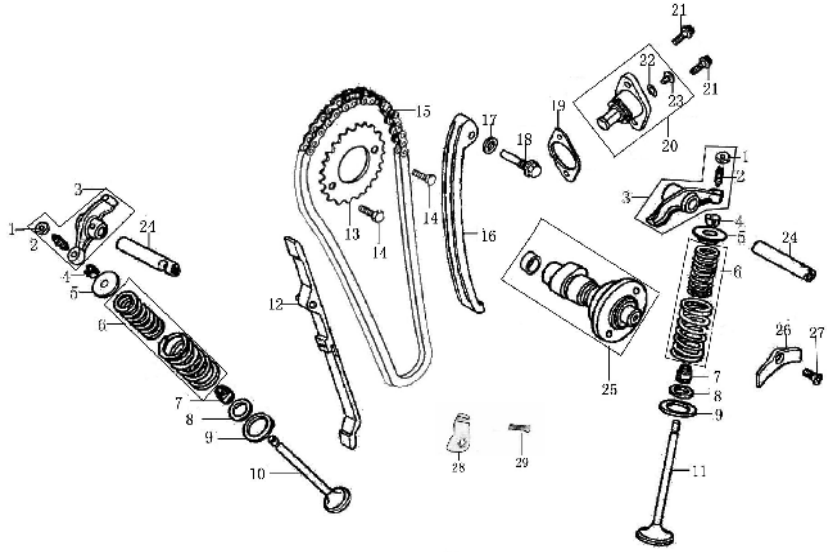
Any modifications will not be informed ahead of time.

气缸头部件/气缸体部件 CYLINDER HEAD ASSY/CYLINDER ASSEMBLY



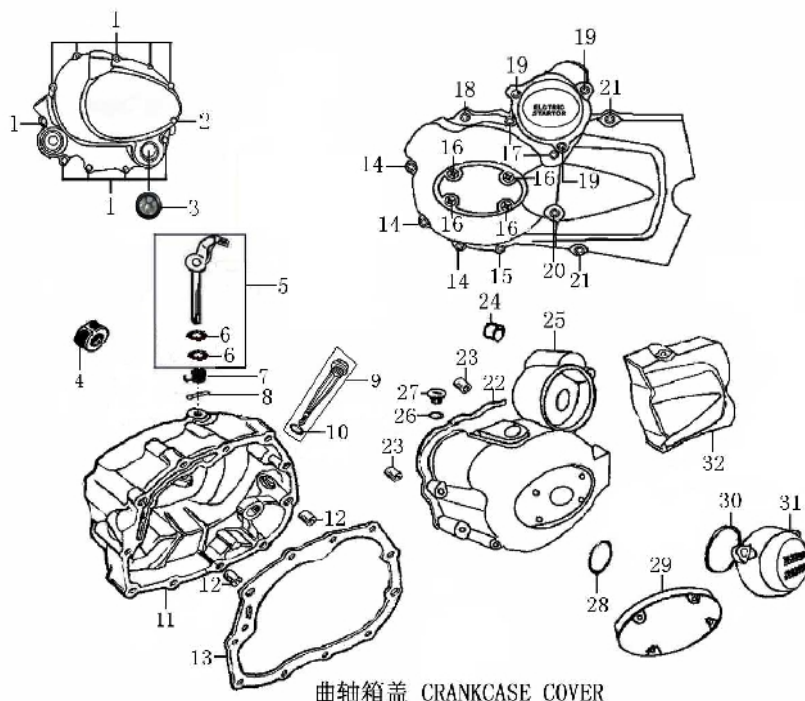
序	件号	中文名称	英文名称	数量	单价		需求量
NO.	Item Code	Chinese	Description	Q'ty	¥	\$	Q.D
1	91201-I006-00000X	CB125脚缸头盖盖形螺母M8(白铬)	Nut M8	4			
2	93301-80852018000	CB125盖形螺母铜垫圈8.5×2×18	Washer 8.5×2×18	4			
3	B166740A06003570X	GB16674小盘螺栓M6×35(兰白锌)	Bolt M6×35	4			
4	11230-I006-00000G	CB125脚气门室盖(6806)	Cover, Valve Chamber	2			
5	90101-20350000300	CB125气门盖O形圈35×3(氟硅胶)	O-ring 35×3	2			
6	81300-I006-0000	CB125脚火花塞部件(CB125脚)	Spark plug	1			
7	91521-08001400000	70定位销8×14×6.3	Pin 8×14×6.3	2			
8	11015-I006-0000	CB125脚橡胶油塞	Rubber, Casing cap	1			
9	1122B-ME05-000086	CB250D-G气缸头组合(环保II代 6806)M8/58	Cylinder Dead Assy	1			
10	90101-20335000300	CB125进气管O形圈33.5×3(氟硅胶)	O-ring 33.5×3	1			
11	91127-I006-0000	CB125脚进气管双头螺栓(普通 L:27mm)	Stud bolt	2			
12	15800-L044-0041	CB200进气管组合(JQ-9XHB)	Inlet pipe	1			
13	B061700006000090X	GB6170螺母M6(兰白锌)	Nut M6	2			
14	B057830006002070X	GB5783螺栓M6×20(兰白锌)	Bolt M6×20	2			
15	B061700008000090X	GB6170螺母M8(兰白锌)	Nut M8	2			
16	91138-I008-01000X	CG125D缸头排气口双头螺栓M8×38(兰白锌)	Stud bolt M8×38	2			
17	B166740A06012570X	GB16674小盘螺栓M6×125(兰白锌)	Bolt M6×125	1			
18	93301-3062201300B	70缸头盖铁垫圈6.2×2×13(白锌)	Washer 6.2×2×13	1			
19	91521-10002000000	CG125脚定位销10×20	Pin 10×20	2			
20	90101-20750000265	CB125气缸头左盖O形圈75×2.65(氟硅胶)	O-ring 75×2.65	1			
21	90202-I006-0000	CB125脚气缸头左盖密封垫	Cylinder Hear Cover Gasket	1			
22	11227-I006-100186	CB125脚气缸头左盖(老款)CDI 6806	Cylinder Hear Left Cover	1			
23	B166740A06002070X	GB16674小盘螺栓M6×20(兰白锌)	Bolt M6X20	2			
24	9022B-ME05-0000	CB250D-G气缸头密封垫组合(金属)	Cylinder Hear Ggasket	1			
25	1110B-ME05-000086	CB250D-G气缸体部件(缸标250 6806)	Cylinder Body Assy	1			
26	90205-J025-0000	CB150D气缸体密封垫	Cylinder Body Gasket	1			

配气机构 Camshaft & Valves



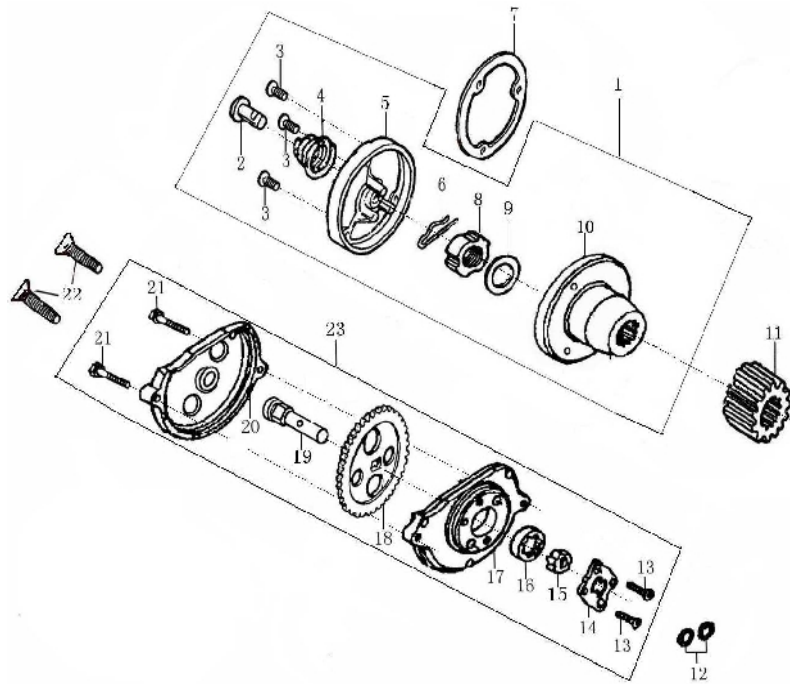
序	件号	中文名称	英文名称	数量	单价		需求量
NO.	Item Code	Chinese	Description	Q'ty	¥	\$	Q.D
1	15403-I006-0000	CB125脚气门间隙调节螺母	Valve clearance setting nut	2			
2	15404-I006-0000	CB125脚气门间隙调节螺钉	Valve clearance setting screw	2			
3	1540A-I006-0000	CB125脚气门摇臂组合	Valve rocker arm	2			
4	15707-I006-0000	CB125脚气门锁夹	Valve locker	4			
5	15705-I006-0000	CB125脚气门弹簧座(上)	Valve spring seat	2			
6	15710-I006-0000	CB125脚气门内外弹簧组合	Valve spring Assy	2			
7	1572B-I008-0000	CG125D挡油罩组合	Oil seal	2			
8	15708-I008-0000	CG125D气门内弹簧座圈(下)	Spring seat (inner)	2			
9	15706-I008-0000	CG125D气门外弹簧座圈(下)	Spring seat (outer)	2			
10	15702-LA74-0000	CB200-C排气门(堆焊合金)	Outlet valve	1			
11	15701-LA74-0000	CB200-C进气门	Inlet valve	1			
12	1553A-ME05-0000	CB250D-G链条导向板组合	Chain guide board	1			
13	15301-L044-0000	CB200正时从动链轮(34)	Timing driven sprocket	1			
14	B057830006001270B	GB5783螺栓M6×12(白锌)	Bolt M6X12	2			
15	1532B-ME05-0000	CB250D-G正时链条组合(7×104 齿形链)	Timing Chain assy	1			
16	1552A-ME05-0000	CB250D-G链条张紧板组合	Chain tension board	1			
17	93301-70851514000	70导向销轴铝垫圈8.5×1.5×14	Washer 8.5×1.5×14	1			
18	91109-I006-00000X	CB125脚张紧条芯轴螺栓(白铬)	Bolt	1			
19	90211-I049-0000	CB125D张紧器密封垫	Tensioner gasket	1			
20	1554B-I049-000086	CB125D张紧器组合(6806)带螺栓和密封圈	Tension Assy	1			
21	B000700106001670X	GB70.1螺钉M6×16(兰白锌)	Screw M6×16	2			
22	90101-20090000180	CB125张紧器O形圈9×1.8(氟硅胶)	O-ring 9×1.8	1			
23	91120-I006-0000	CB125脚张紧调节螺栓M6×10	Bolt M6X10	1			
24	15402-I006-0100	CB125脚-2#气门摇臂轴(PDK专用)	Rocker shaft	2			
25	15100-ME05-0003	CB250D-G凸轮轴部件(TP1轴承)6203轴承组别同图0.017"0.025 60032C3	CAM shaft Assy	1			
26	11201-I006-0000	CB125脚气门摇臂轴定位板	Rocker shaft piston board	1			
27	B008190106001620B	GB819.1螺钉M6×16(白锌)	Screw M6×16	1			
28	2143B-L044-0000	CB200链条护板组合	Chain protect board	1			
29	B166740006001670B	GB16674大盘螺栓M6×16(白锌)	Bolt M6×16	1			

曲轴箱盖 CRANKCASE COVER(1)



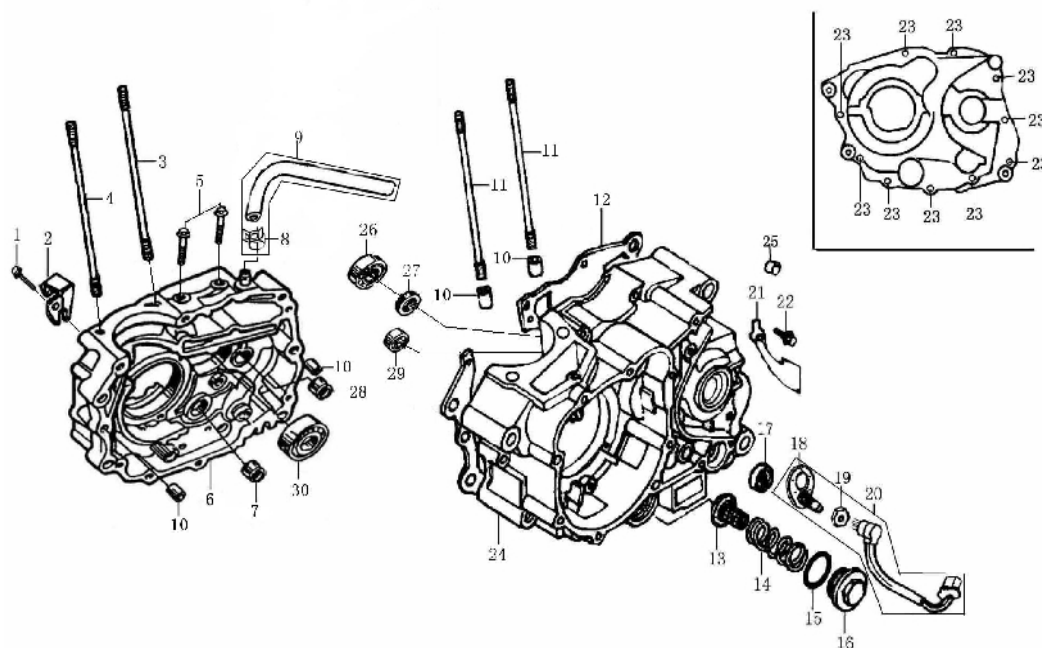
序 NO.	件号 Item Code	中文名称 Chinese	英文名称 Description	数量 Q'ty	单价 ¥ \$		需求量 Q.D
1	B166740A06004070X	GB16674小盘螺栓M6×40(兰白锌)	Bolt M6×40	10			
2	B166740A06005070X	GB16674小盘螺栓M6×50(兰白锌)	Bolt M6×50	1			
3	12426-I008-0000	CG125D机油观察窗	Oil levelsight window	1			
4	90304-I006-0000	CB125脚启动轴油封16×28×7(丁腈胶)	Oil seal 16×28×7	1			
5	2242A-IA18-01000	PZ125离合器操纵臂组合(锻件 0型圈密封 抛丸镀铬)	Controlling Arm Assembly, Clutch	1			
6	90101-30087000190	CB125脚操纵臂O形圈8.7×1.9(氟橡胶)	O-ring 8.7×1.9	2			
7	22427-I006-0000	CB125脚离合器操纵臂弹簧	Clutch Controlling Arm Spring	1			
8	B0087901030120000	GB879.1销 3×12	Pin 3×12	1			
9	14301-I006-01000G	CB125脚机油尺组合(白板 镀铬)分体式	Oli ruler Assy	1			
10	90101-10180000300	CG125机油尺O形圈18×3(丁腈胶)	O-ring 18×3	1			
11	12421-I008-660063	CG125D右曲轴箱盖[白板(超风款) 6805]电感式	Cover Comp. Right Crankcase	1			
12	91521-08001400000	70定位销8×14×6.3	Pin 8×14×6.3	2			
13	90206-I008-0000	CG125D右曲轴箱盖密封垫	R.Crankcase cover gasket	1			
14	B166740A06002570X	GB16674小盘螺栓M6×25(兰白锌)	Bolt M6×25	3			
15	B166740A06003570X	GB16674小盘螺栓M6×35(兰白锌)	Bolt M6×35	1			
16	B008180006001220X	GB818螺钉M6×12(兰白锌)	Screw M6×12	4			
17	B166740A06005570X	GB16674小盘螺栓M6×55(兰白锌)	Bolt M6×55	2			
18	B166740A06003570X	GB16674小盘螺栓M6×35(兰白锌)	Bolt M6×35	1			
19	B166740A06002070X	GB16674小盘螺栓M6×20(兰白锌)	Bolt M6×20	3			
20	B166740A06006070X	GB16674小盘螺栓M6×60(兰白锌)	Bolt M6×60	1			
21	B166740A06002870X	GB16674小盘螺栓M6×28(兰白锌)	Bolt M6×28	2			
22	90204-I049-0000	CB125D左曲轴箱前盖密封垫	Gasket, L.Crankcase Cover	1			
23	91521-08001400000	70定位销8×14×6.3	Pin 8×14×6.3	2			
24	92102-I008-0001	CG125D含油轴承(铁基)	Bearing	1			

机油泵部件/机油滤清器部件 OIL PUMP/OIL FILTER



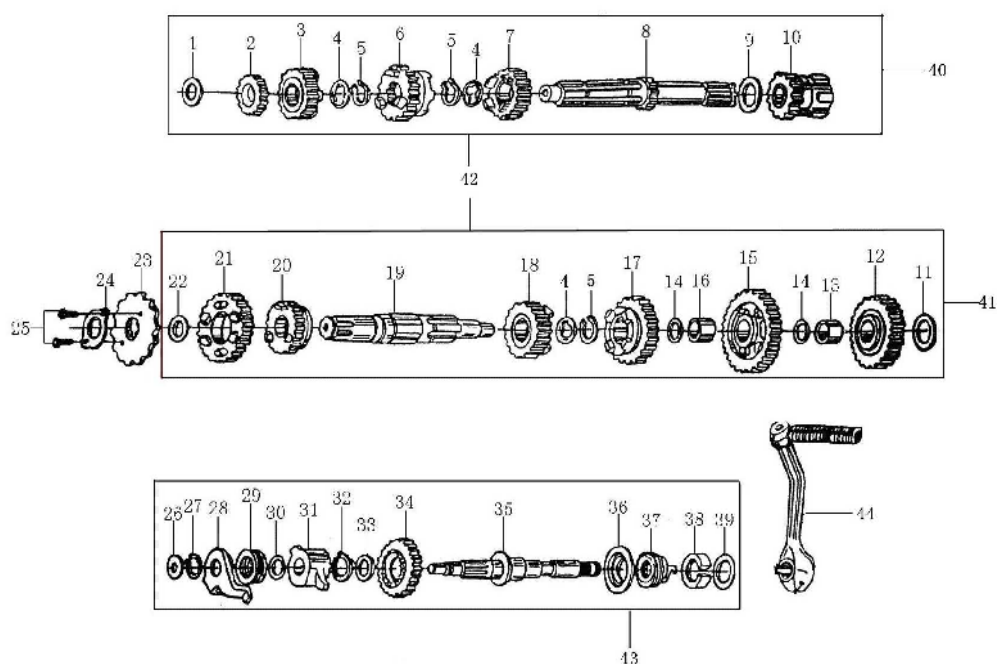
序	件号	中文名称	英文名称	数量	单价		需求量
NO.	Item Code	Chinese	Description	Q'ty	¥	\$	Q.D
1	14200-IA20-0100	SB125-2#机油滤清器部件	Oil Filter, Comp	1			
2	14201-I006-0000	CB125脚机油滤清器出油管	Oil Pipe	1			
3	B008190105001220B	GB819. 1螺钉M5×12(白锌)	Screw M5×12	3			
4	14202-I006-0000	CB125脚机油滤清器出油管弹簧	Spring, Oil Pipe	1			
5	14207-IA20-00000W	SB125机油滤清器盖(抛丸钝化)	Oil Filter Cover	1			
6	14208-I006-0000	CB125脚机油滤清器开口销	Open Pin	1			
7	90209-IA20-0000	SB125滤清器端盖密封垫	Gasket, Oil Filter	1			
8	91203-IA20-0000	SB125机油滤清器螺母	Nut	1			
9	22004-I006-0000	CB125脚离合器碟形垫圈16.5×2×27	Dish Washer, Clutch	1			
10	14203-IA20-0100	SB125-2#机油滤清器转子组件	Rotor Ass. Of Oil Filter	1			
11	23101-I006-0000	CB125脚主动齿	Primary Drive Gear	1			
12	90101-10094000240	CG125机油泵O形圈9.4×2.4(丁腈胶)	O-ring 9.4×2.4	2			
13	B008190104001020B	GB819. 1螺钉M4×10(白锌)	Screw M4×10	2			
14	14108-L044-0200	CB200机油泵盖板(电感式 钢齿)	Oil Pump Cover	1			
15	14111-L044-0200	CB200机油泵内转子(电感式 钢齿)	Inner Rotor, Oil Pump	1			
16	14112-L044-0000	CB200机油泵外转子	Outer Rotor, Oil Pump	1			
17	14110-L044-0200	CB200机油泵体(电感式 钢齿)	Oil Pump Body	1			
18	14102-L044-0001	CB200机油泵齿轮(m=1.75 z=37 电感式 钢齿)	Gear, Oil Pump	1			
19	14107-L044-0200	CB200机油泵油泵轴(电感式 钢齿)	Shaft, Oil Pump	1			
20	14113-L044-0000	CB200机油泵齿轮盖(电感式 钢齿)	Oil Pump Gear Cover	1			
21	B057820005002070B	GB5782螺栓M5×20(白锌)	Bolt M5×20	2			
22	B008190106003020B	GB819. 1螺钉M6×30(白锌)	Screw M6×30	2			
23	14100-L044-0000	CB200机油泵部件(37齿 电感式)	Oil Pump Assy	1			

曲轴箱 CRANKCASE (1)



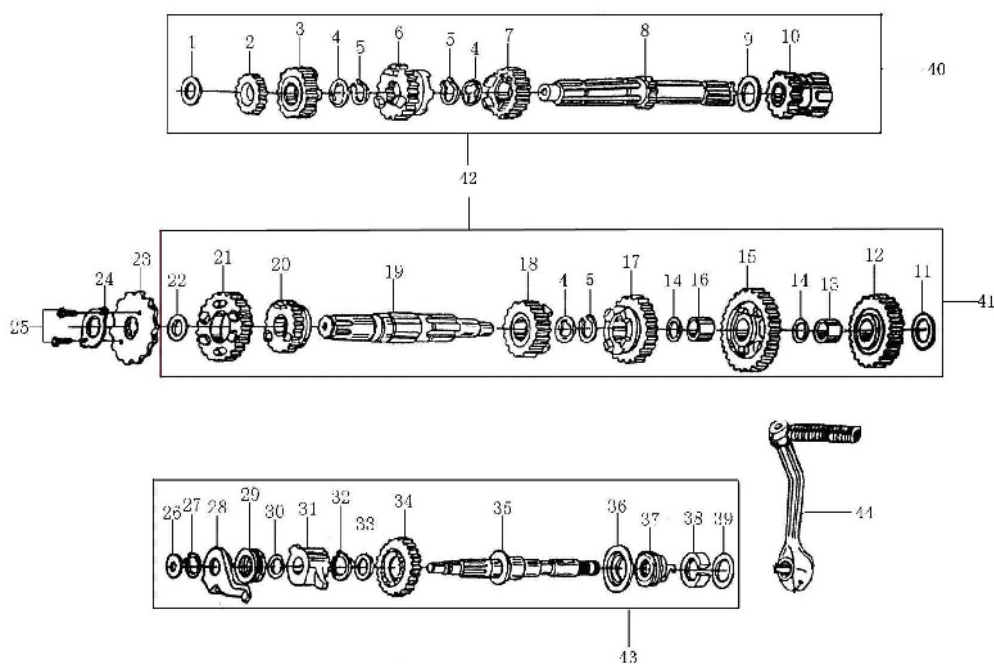
序	件号	中文名称	英文名称	数量	单价		需求量
NO.	Item Code	Chinese	Description	Q'ty	¥	\$	Q.D
1	B166740A06005570X	GB16674小盘螺栓M6×55(兰白锌)	Bolt M6×55	1			
2	22422-IA18-01000G	PZ125-2#离合器钢索支架(白铬)	Holder, Clutch Cable	1			
3	91102-L044-0000	CB200气缸双头螺栓B(229mm)	Cylinder Stud Bolt B	1			
4	91102-L044-0100	CB200-2#气缸双头螺栓B(229mm)	Cylinder Stud Bolt B	1			
5	B166740A06002870X	GB16674小盘螺栓M6×28(兰白锌)	Bolt M6×28	2			
6	1222B-ME05-010063	CB250D-G右曲轴箱组合(低噪音专用 6805)	Right Crankcase Block	1			
7	92102-000HK212810	滚针轴承(HK21×28×10)	Bearing (HK212810)	1			
8	18097-I008-0000	CG125D废气循环管 I 卡箍	Clamp	3			
9	12130-MA95-0200	CG250-3#通气管组件(复合层材料 卡箍2个)	Pipe Assy	1			
10	91521-10001400000	CG125脚定位销10×14	Pin 10×14	4			
11	91101-KA35-0000	IB175-FC气缸双头螺栓A(240mm)	Cylinder Stud Bolt A	2			
12	90208-ME05-0000	CB250D-G曲轴箱密封垫	Gasket, Crankcase	1			
13	1431B-I006-0000	CB125脚机油过滤网组合	Strainer, Oil Filter	1			
14	14221-I006-0000	CB125脚机油过滤网弹簧	Spring, Oil Filter Strainer	1			
15	90101-20350000300	CB125气门盖O形圈35×3(氟硅胶)	O-ring 35×3	1			
16	11230-I006-00000W	CB125脚气门室盖(抛丸钝化)	Cover, Valve Chamber	1			
17	90301-I006-0000	CB125脚换挡臂油封14×28×7(丁腈胶)	Oil-seal 14×28×7	1			
18	88001-I049-0500	CB125D档显板(五档国际档)	Gearshift Switch Plate	1			
19	91204-I049-0000	CB125D档显板螺母M10	Nut	1			
20	8803B-I049-050055	CB125D档显线束组合(五档国际 L:550)接口D01	Gearshift Switch Lamp	1			
21	12103-I008-0000	CG125D挡线片	Position Plate	1			
22	B166740A06001270B	GB16674小盘螺栓M6×12(白锌)	Bolt M6×12	1			
23	B166740A06005070X	GB16674小盘螺栓M6×50(兰白锌)	Bolt M6×50	10			
24	1212B-IA27-000063	CB133左曲轴箱组合(6805)	Left Crankcase Block	1			

传动机构 TRANSMISSION MECHANISM (1)



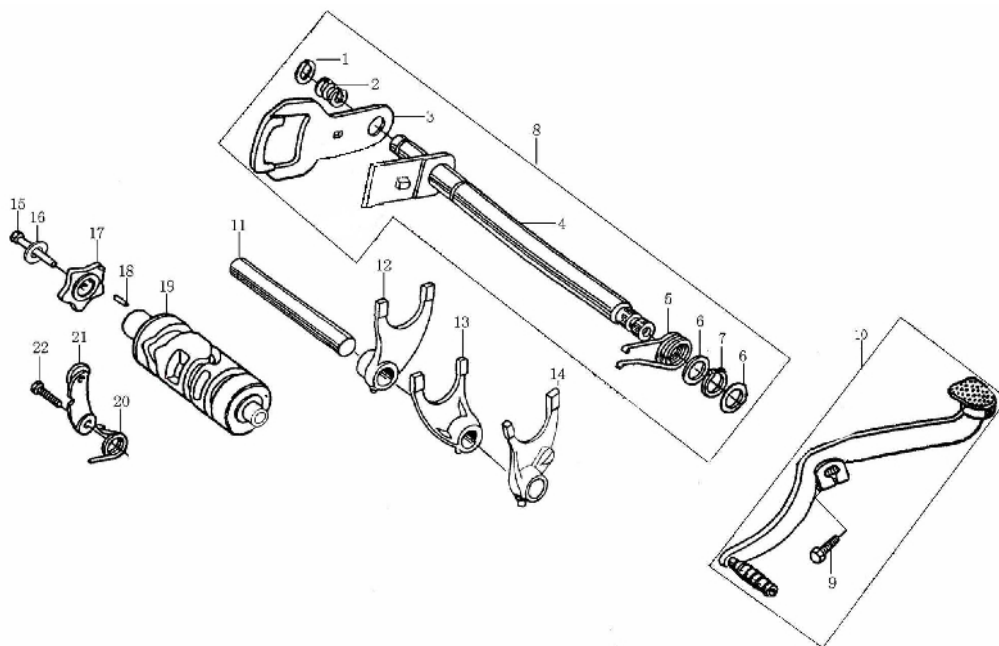
序 NO.	件号 Item Code	中文名称 Chinese	英文名称 Description	数量 Q'ty	单价 ¥	需求 \$	需求 Q.D
1	93301-61521025000	CB125主轴止推垫圈 15.2×1×25	Washer 15.2×1×25	1			
2	23222-LA73-0002	CG200-A水冷主轴2档齿轮	Gear M-2	1			
3	23222-LA73-0005	CG200-A水冷主轴5档齿轮	Gear M-5	1			
4	23223-I006-0000	CB125脚齿轮隔圈 17.3(20)×1.6×26	Washer	3			
5	91402-D002-0100	70启动轴挡圈 φ18.5×1.2×φ22.1	Circli φ18.5×1.2×φ22.1	3			
6	23222-LA73-0004	CG200-A水冷主轴4档齿轮	Gear M-4	1			
7	23222-LA73-0003	CG200-A水冷主轴3档齿轮	Gear M-3	1			
8	23221-LA73-0000	CG200-A水冷主轴芯轴	Transmission Main Shaft	1			
9	93301-62020527000	CB125主轴止推垫圈 20.2×0.5×27	Washer 20.2×0.5×27	1			
10	23231-I008-0000	CG125D主轴起动齿轮组合	Final Shaft	1			
11	93301-61521030000	CB125副轴止推垫圈 15.2×1×30	Washer 15.2×1×30	1			
12	23248-I008-0000	CG125D副轴启动过桥齿轮	Gear	1			
13	23203-I008-0003	CG125D副轴启动齿轮衬套	Gear Bush	1			
14	93301-51650524000	CG125D副轴止推垫圈 16.5×0.5×24	Washer 16.5×0.5×24	2			
15	23242-LA73-0001	CG200-A水冷副轴1档齿轮	Gear C-1	1			
16	23203-I006-0001	CB125脚副轴1档齿轮衬套	Gear Bush	1			
17	23242-LA73-0003	CG200-A水冷副轴3档齿轮	Gear C-3	1			
18	23242-LA73-0004	CG200-A水冷副轴4档齿轮	Gear C-4	1			
19	23241-I008-0000	CG125D-1#五档副轴芯轴	Transmission Counter Shaft	1			
20	23242-LA73-0005	CG200-A水冷副轴5档齿轮	Gear C-5	1			
21	23242-LA73-0002	CG200-A水冷副轴2档齿轮	Gear C-2	1			
22	93301-52001027000	CG125D副轴止推垫圈 20×1×27	Washer 20×1×27	1			
23	23401-MA95-0001	CG250主动链轮 (520, 13)	Drive Sprocket	1			
24	23402-I006-0000	CB125脚主动链轮固定板	Fixing Plate, Drive Sprocket	1			

传动机构 TRANSMISSION MECHANISM(2)



序	件号	中文名称	英文名称	数量	单价		需求量
NO.	Item Code	Chinese	Description	Q'ty	¥	\$	Q.D
25	B057830006001070B	GB5783螺栓M6×10(白锌)	Bolt M6×10	2			
26	93301-51211018000	CG125D启动轴垫圈12.1×1×18	Washer 12.1×1×18	1			
27	B0089401160000000	GB894.1挡圈16	Circlip 16	1			
28	2112B-I008-0000	CG125D棘轮导板组合	Guide Plate Ass.	1			
29	21119-I008-0000	CG125D启动棘轮弹簧	Spring, Kick Starting Ratchet Wheel	1			
30	93301-51611024000	CG125D启动轴垫圈16.1×1×24	Washer 16.1×1×24	1			
31	21118-I008-0000	CG125D启动棘轮	Starting Ratchet	1			
32	91402-I008-0000	CG125D启动轴弹性挡圈φ18.5×1.2×φ22.4	Circlip φ18.5×1.2×φ22.4	1			
33	93301-62000527000	CG125启动轴垫圈20×0.5×27	Washer 20×0.5×27	1			
34	21117-I008-0000	CG125D启动齿轮	Gear, Kick Starter	1			
35	21107-I008-0001	CG125D启动轴芯轴(油封光杆L:60)兰白锌	Pivot, Kick Starting Shaft	1			
36	21104-I008-0000	CG125D启动轴弹簧座	Seat, Spring, Kick Starting Shaft	1			
37	21106-I008-0000	CG125D启动轴复位弹簧	Return Spring, Kick Starting Shaft	1			
38	21111-I008-0000	CG125D启动轴轴环	Collapsible	1			
39	93301-51611030000	CG125D启动轴垫圈16.1×1×30	Washer 16.1×1×30	1			
40	23220-LA73-0000	CG200-A水冷主轴组合	Main Shaft, Transmission	1			
41	23240-LA73-0000	CG200-A水冷-1#副轴组合	Coutershaft Transmission	1			
42	23200-LA73-0200	CG200-A水冷-2#主副轴组合(CG200-A水冷-2#)157 外花键加长10	Transmission Main, Counter Shaft	1			
43	21100-I008-0202	CG125D启动轴总成(油封光杆L:60 兰白锌)	Kick Starting Shaft Assembly	1			
44	21200-I008-0600	CG125D启动杆部件(QD-88)白铬	Start-up Bar Comp	1			

变速机构 GEARSHIFT MECHANISM



变速机构 GEARSHIFT MECHANISM

序	件号	中文名称	英文名称	数量	单价		需求量
NO.	Item Code	Chinese	Description	Q'ty	¥	\$	Q.D
1	B0089401120000000	GB894.1挡圈12	Circlip 12	1			
2	24303-I006-0000	CB125脚换档板弹簧	Spring, Gearshift Plate	1			
3	24319-I006-0000	CB125脚换档板(五档国际档)	Gearshift Plate	1			
4	24301-I006-00000C	CB125脚换档轴组合(五档国际档 彩锌)	Gearshift Shaft Comp	1			
5	24302-I008-0000	CG125D换档回位弹簧	Return Spring	1			
6	93301-51400520000	CB125脚换档臂垫圈14×0.5×20	Washer 14×0.5×20	2			
7	B0089401140000000	GB894.1挡圈14	Circlip 14	1			
8	24300-I006-00000C	CB125脚换档臂部件(CB125脚 五国 彩锌)	Gearshift Lever Comp	1			
9	B057830006002070G	GB5783螺栓M6×20(白铬)	Bolt M6×20	1			
10	24400-I008-0500	CG125D变速踏板部件(BT-2U)白铬	Gearshift Shaft	1			
11	24107-I006-0000	CB125脚拨叉轴	Shaft, Gearshift Fork	1			
12	24104-I006-0000	CB125脚副轴右拨叉	Right Fork, Countershaft	1			
13	24106-I006-0000	CB125脚主轴拨叉	Center Fork, Mainshaft	1			
14	24105-I006-0000	CB125脚副轴左拨叉	Left Fork, Countershaft	1			
15	91126-I008-00000B	CG125D五星板紧固螺栓(白锌)	Bolt	1			
16	B0009300060000000	GB93弹垫6	Washer φ6	1			
17	24202-I006-0500	CB125脚五星板(五档国际档)	Stopping Plate	1			
18	B0011901040100000	GB119.1销4×10	Pin 4×10	1			
19	24213-I006-0500	CB125脚变速鼓(五档国际档)档显	Gearshift Drum	1			
20	24304-I006-0000	CB125脚定位板弹簧	Spring, Locating Plate	1			
21	2434A-I008-0000	CG125D定位板组合(短压板四/五档国际档及四档非循)	Locating Plate Assy	1			
22	B057830006002070B	GB5783螺栓M6×20(白锌)	Bolt M6×20	1			

Shock Absorber 减震器



序	件号	中文名称	英文名称	数量	单价		需求量
NO.	Item Code	Chinese	Description	Q'ty	¥	\$	Q.D
1	01050022	消声器前管(排气管)	Exhaust pipe	1			
2	01050023	消声器筒体(消声器)	Muffler	1			
3	07010053	后减震	Rear shock	1			
4	07010051	前减震(左)	Front shock (left)	1			
5	07010052	前减震(右)	Front shock (right)	1			
6	02040067	链条(428H-122)	Chain (428H-122)	1			
7	12990004	碟刹管线夹	Clip for the brake hose	2			
8		石棉垫	Asbestos pad	1			
9		消声器抱箍	Muffler surrounder	1			
10		硅胶垫	Rubber	1			
11	03010178	前减档泥	Front fender for shock	2			
12		消声器垫	Muffler connection pad	1			
13	02010469	消声器装饰板	Muffler cover	1			

Wires and tank 线束类和油箱



序	件号	中文名称	英文名称	数量	单价		需求量
NO.	Item Code	Chinese	Description	Q'ty	¥	\$	Q.D
1	08020098	坐垫（开启）拉线	Cushion lock cable	1			
2	08020100	离合线	Clutch cable	1			
3	08020099	油门线	Throttle cable	1			
4	10080023	套锁	Switch lock	1			
5	08010034	电缆线	Wire harness	1			
6	10010035	刹车开关	Brake switch	1			
7	10050026	仪表	Instrument	1			
8	02010461	仪表支架	Instrument bracket	1			
9	10060005	油箱开关	Switch of gas tank	1			
10	12010007	油管夹8.5	Pipe clip 8.5	4			
11	10040030	油位传感器	Sensor, Fuel Gauge	1			
12		传感器密封垫	Sensor washer	1			
13	06030002	汽油管	Fuel pipe	20cm			
14	06990001	二级过滤器	Second filter	1			
15	05030016	油箱	Fuel Tank	1			
16	08020101	风门线	Choke cable	1			
17	06990042	废气管	Waste pipe	1			

Wheels and brake 轮毂及刹车系统



序 NO.	件号 Item Code	中文名称 Chinese	英文名称 Description	数量 Q'ty	单价 ¥ \$		需求量 Q.D
1	06010020	前轮胎110/60-17	Front tyre 110/60-17	1			
2	02040065	前轮毂	Front Wheel	1			
3	04020018	前碟盘	Front brake disc	2			
4	06010021	后轮胎140/60-17	Rear tyre	1			
5	02040066	后轮毂	Rear Wheel	1			
6	02040068	牙盘（链轮毂总成428-42）	Sprocket wheel hub（428-42）	1			
7	04020019	后碟盘	Rear brake disc	1			
8	04010035	后碟刹总成	Rear brake ASSY	1			
9	04010034	前碟刹总成	Front brake ASSY	1			
10	10040028	车速传感器	Speed sensor	1			
11		气门嘴	valve spigot	2			
12		链轮螺栓	Sprocket bolt	4			
13		（牙盘）缓冲衬套	Sprocket bush	4			

Body Cover 车身覆盖件 (1)



序	件号	中文名称	英文名称	数量	单价		需求量
NO.	Item Code	Chinese	Description	Q' ty	¥	\$	Q. D
1	03010179	前泥板	Front Fender	1			
2	03010183	后右侧板	Rear decorative cover (right)	1			
3	03010182	后左侧板	Rear decorative cover (left)	1			
4	03030295	发动机下护罩 (左)	Engine bottom cover(left)	1			
5	03030296	发动机下护罩 (右)	Engine bottom cover(right)	1			
6	03010189	发动机护罩面板 (左)	Engine out cover(left)	1			
7	03010190	发动机护罩面板 (右)	Engine out cover(right)	1			
8	03010184	后侧板连接板	Connection of rear cover	1			
9	03030294	大灯导流罩 (中)	Air deflector (middle)	1			
10	09010025	前大灯总成	Head light ASSY	1			
11	03010187	大灯导流罩 (左)	Air deflector (left)	1			
12	03010188	大灯导流罩 (右)	Air deflector (right)	1			
13	09020060	前转向灯 (左)	Front blinker(left)	1			
14	09020061	前转向灯 (右)	Front blinker(right)	1			

