

DF125GKA-H零件目录图册

DF125GKA-H PARTSLIST



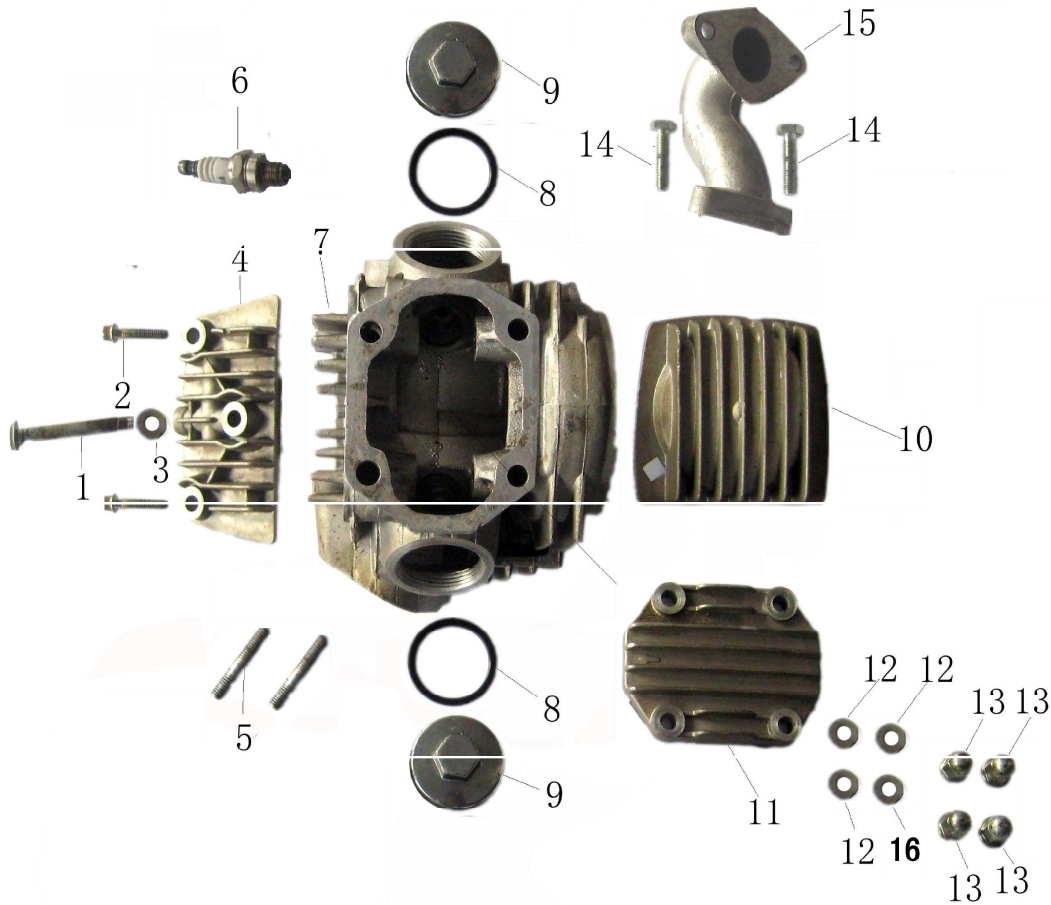
FOREWORD

When you are going to order parts you may take this booklet as reference but any differences please take the reality on vehicle as standard.

To find out the name, Item code or fitment you may check in the illustration with the size and appearance .Then with the no. in the illustration you will find out the name, item code and quantity.

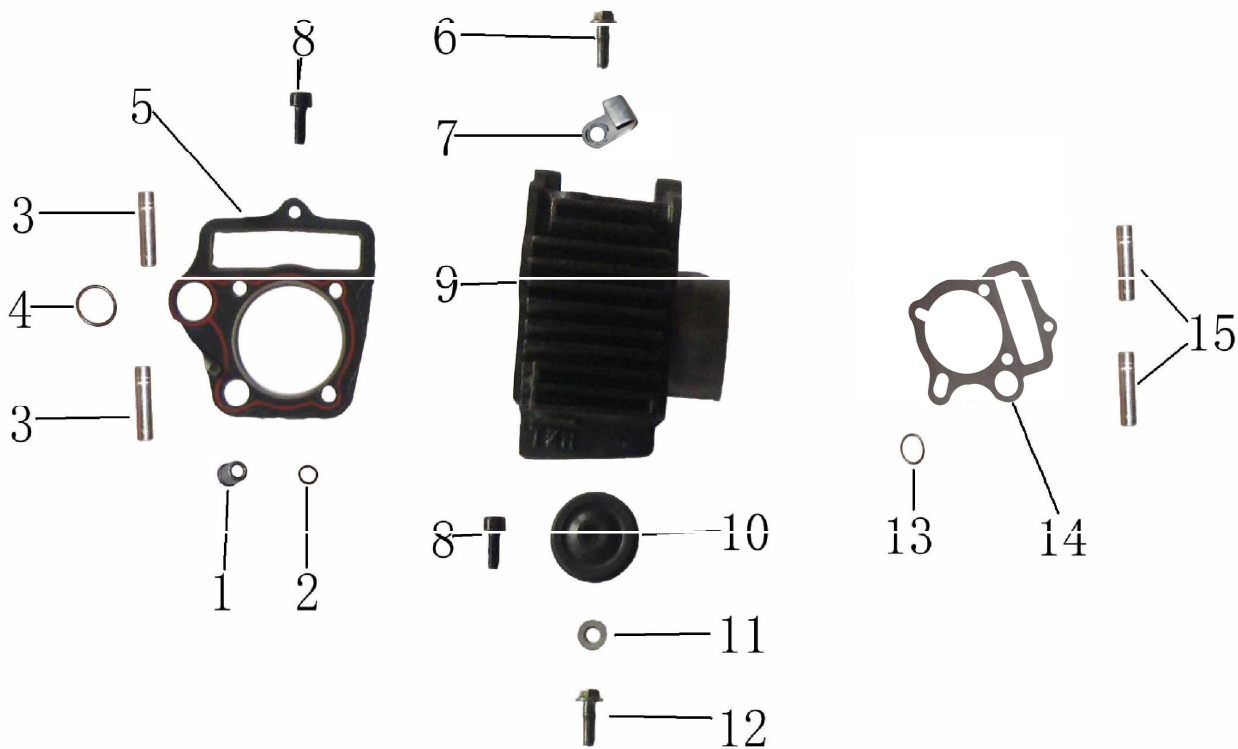
There will no notice to you ahead of any change of the information in this booklet.

气缸头部件 CYLINDER HEAD ASSY



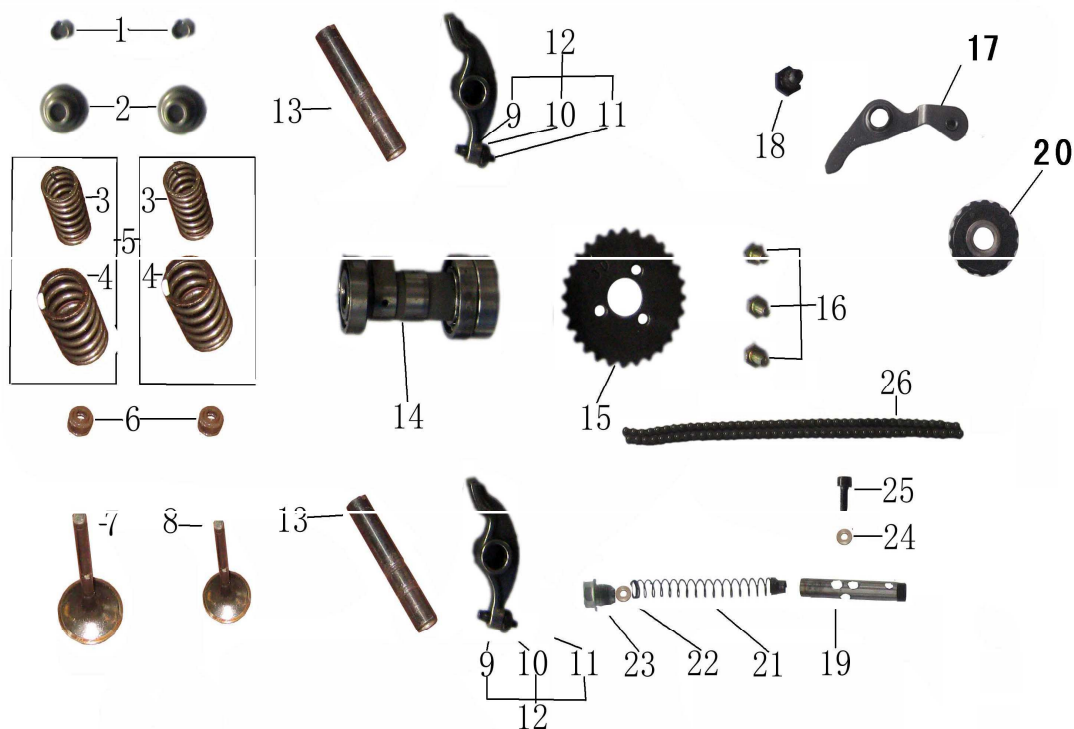
序	件号	中文名称	英文名称	数量	单价	
NO	Code name	Chinese	Description	Q'ty	¥	\$
1	231006-0101	70缸头左右盖连接螺栓M6×110(兰白锌)	BOLT M6×110	1		
2	231006-0102	GB16674小盘螺栓M6×20(兰白锌)	BOLT M6×20	2		
3	231006-0103	70铝垫圈6.5×1×12	WASHER 6.5×1×12	1		
4	231006-0104	C100-2#气缸头右盖组合(抛丸钝化)	RIGHT COVER, CYLINDER HEAD	1		
5	231006-0105	GY6缸头排气口双头螺栓M6×32(兰白锌)	BOLT M6×32	2		
6	231006-0106	C100火花塞部件(A7TC)	SPARK PLUG	1		
7	231006-0107	120cc气缸头组合(抛丸钝化)	CYLINDER HEAD ASSY	1		
8	231006-0108	70气门盖O形圈29.6×3.2(氟硅胶)	O-RING 29.6×3.2	1		
9	231006-0109	70气门室盖(抛丸钝化)	COVER, VALVE CHAMBER	1		
10	231006-0110	C100-2#气缸头左盖(限位柱高度11.3 抛丸钝化)	LEFT COVER, CYLINDER HEAD	1		
11	231006-0111	C100气缸头上盖(抛丸钝化)	UPPER COVER, CYLINDER HEAD	1		
12	231006-0112	C100缸头盖铁垫圈7.3×2.5×14(白锌)	WASHER 7.3×2.5×14	3		
13	231006-0113	C100缸头盖盖形螺母M6(兰白锌)	NUT M6	4		
14	231006-0114	GB5783螺栓M6×25(兰白锌)	BOLT M6×25	4		
15	231006-0115	90D进气管(JQ-4)	INLET PIPE	1		
16	231006-0116	C100缸头盖铜垫圈7.3×2.5×14(白锌)	WASHER 7.3×2.5×14(ZP)	1		

气缸体部件 CYLINDER ASSEMBLY



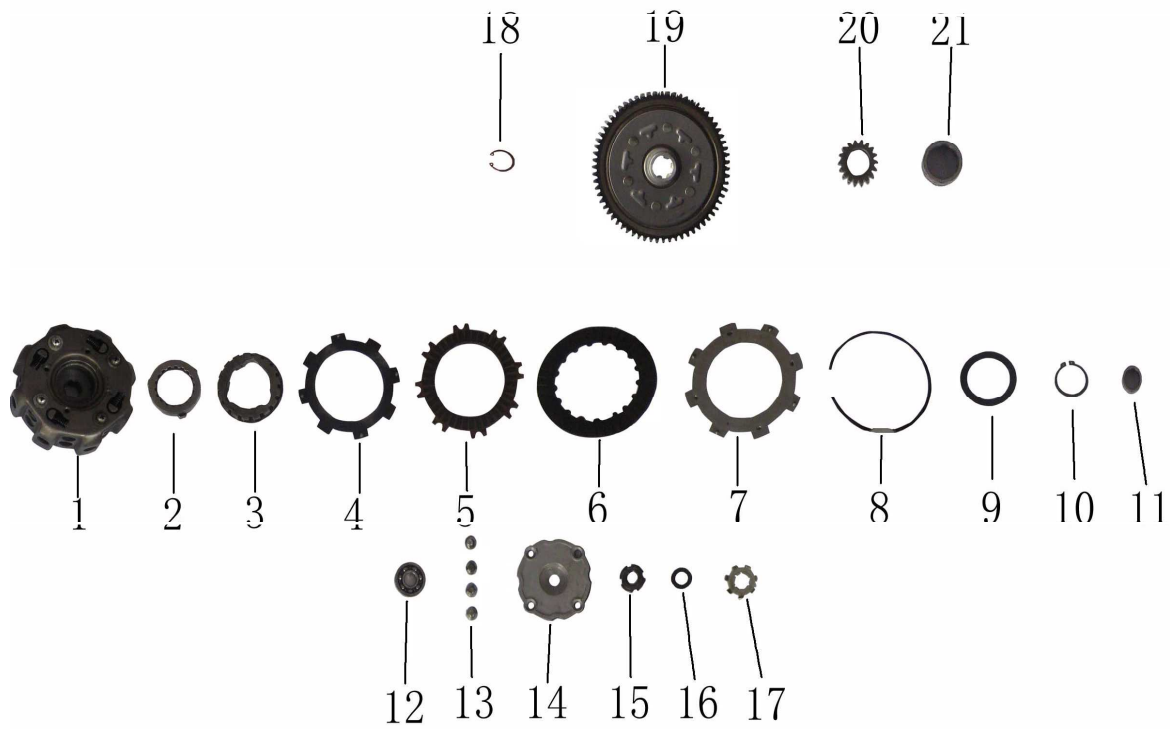
序	件号	中文名称	英文名称	数量	单价	
NO	Code name	Chinese	Description	Q'ty	¥	\$
1	231006-0201	70反沿衬套9.5	BUSH 9.5	1		
2	231006-0202	70矩形密封圈 $\phi 8 \times 10.8 \times 1.5$	RECTANGLE RING $8 \times 10.8 \times 1.5$	1		
3	231006-0203	C100定位销 $8 \times 14 \times 7$	PIN $8 \times 14 \times 7$	2		
4	231006-0204	70矩形密封圈 $\phi 14 \times 18.2 \times 2.5$	RECTANGLE RING $14 \times 18.2 \times 2.5$	1		
5	231006-0205	120CC铝气缸头密封垫组合	GASKET ASSY, CYLINDER HEAD	1		
6	231006-0206	GB16674小盘螺栓 $M6 \times 16$ (兰白锌)	BOLT $M6 \times 16$	1		
7	231006-0207	70高压线固定夹(兰白锌)	CLIP, HIGH VOLTAGE WIRE	1		
8	231006-0208	70缸体箱体连接螺栓 $M6 \times 23$ (兰白锌)	BOLT $M6 \times 23$	2		
9	231006-0209	气缸体部件(缸标120 铝缸)	CYLINDER BLOCK ASSEMBLY	1		
10	231006-0210	C110链条导向轮组合(45)	GUIDE CHAIN ROLLER SET	1		
11	231006-0211	70导向销轴铝垫圈 $8.5 \times 1.5 \times 14$	WASHER $8.5 \times 1.5 \times 14$	1		
12	231006-0212	70导向滚轮销轴(兰白锌)	GUIDE CHAIN ROLLER PIN	1		
13	231006-0213	70矩形密封圈 $\phi 11.5 \times 16 \times 2.5$	RECTANGLE RING $11.5 \times 16 \times 2.5$	1		
14	231006-0214	120CC铝气缸体纸垫	GASKET, CYLINDER BLOCK	1		
15	231006-0215	C100缸体箱体连接定位销 $8 \times 12 \times 7$	PIN $8 \times 12 \times 7$	2		

配气机构 VALVE MECHANISM



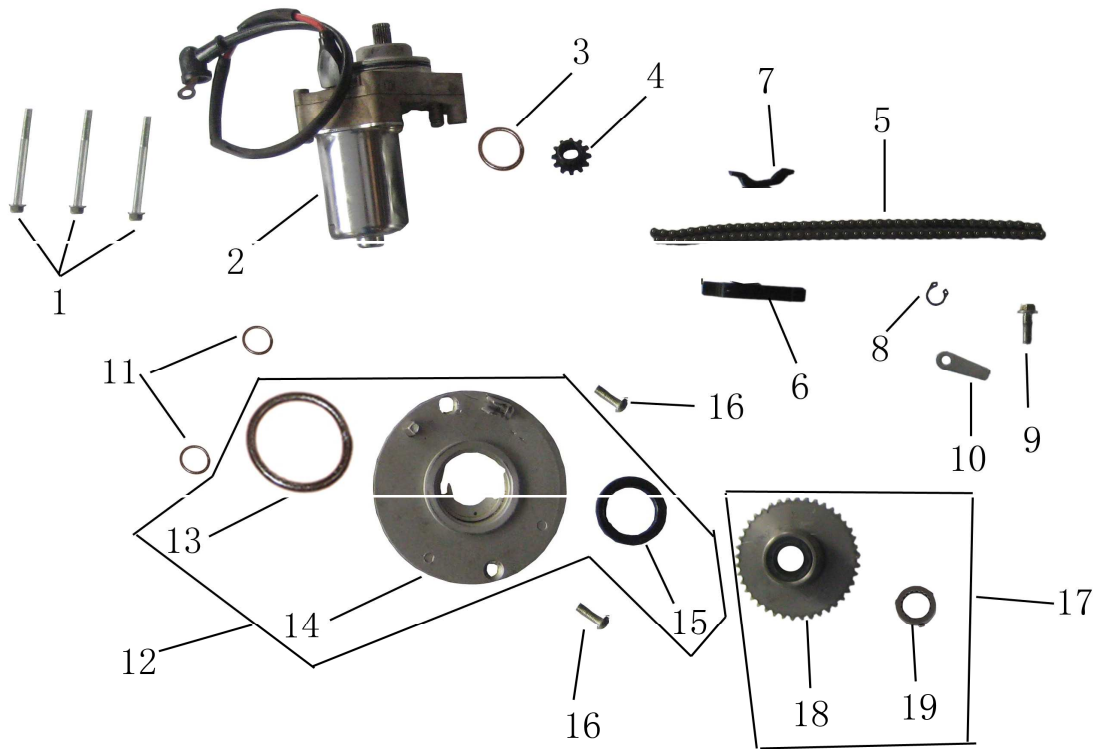
序	件号	中文名称	英文名称	数量	单价	
NO	Code name	Chinese	Description	Q'ty	¥	\$
1	231006-0301	70气门锁夹	VALVE COTTER	4		
2	231006-0302	70气门弹簧座(上)	SPRING SEAT	2		
5	231006-0305	70-3#气门内外弹簧组合	INNER SPRING, ASSY	2		
6	231006-0306	70挡油罩组合	SEAL, VALVE STEM	2		
7	231006-0307	120CC进气门	INLET VALVE	1		
8	231006-0308	120CC排气门	EXHAUST VALVE	1		
12	231006-0312	70气门摇臂组合	ROCKER ARM ASSEMBLY, VALVE	2		
13	231006-0313	70气门摇臂轴	ROCKER SHAFT	2		
14	231006-0314	C100凸轮轴部件(轴承16003、16002)	GAMP SHAFT COMP	1		
15	231006-0315	70正时从动链轮	TIMING DRIVEN SPROCKET	1		
16	231006-0316	70正时链轮螺栓M5×12	BOLT M5×12	3		
17	231006-0317	70链条张紧臂组合	CHAIN ADJUSTING SET	1		
18	231006-0318	70链条张紧臂芯轴	AXLE, TENSIONER LEVER	1		
19	231006-0319	70链条张紧杆组合	CHAIN TYHT SET	1		
20	231006-0320	70链条张紧轮组合	LIFTER ASSY	1		
21	231006-0321	70链条张紧杆弹簧	SPRING	1		
22	231006-0322	70密封螺塞铝垫圈14.5×1.5×20	WASHER 14.5×1.5×20	1		
23	231006-0323	70密封螺塞M14×1.5(兰白锌)	SEALING PLUG M14×1.5	1		
24	231006-0324	70张紧杆注油铝垫圈6.2×1.5×13	WASHER 6.2×1.5×13	1		
25	231006-0325	GB16674大盘螺栓M6×18(兰白锌)	BOLT M6×18	1		
26	231006-0326	C100正时链条组合(84)	SPROKET CHAIN	1		

离合器总成 CLUTCH ASSY



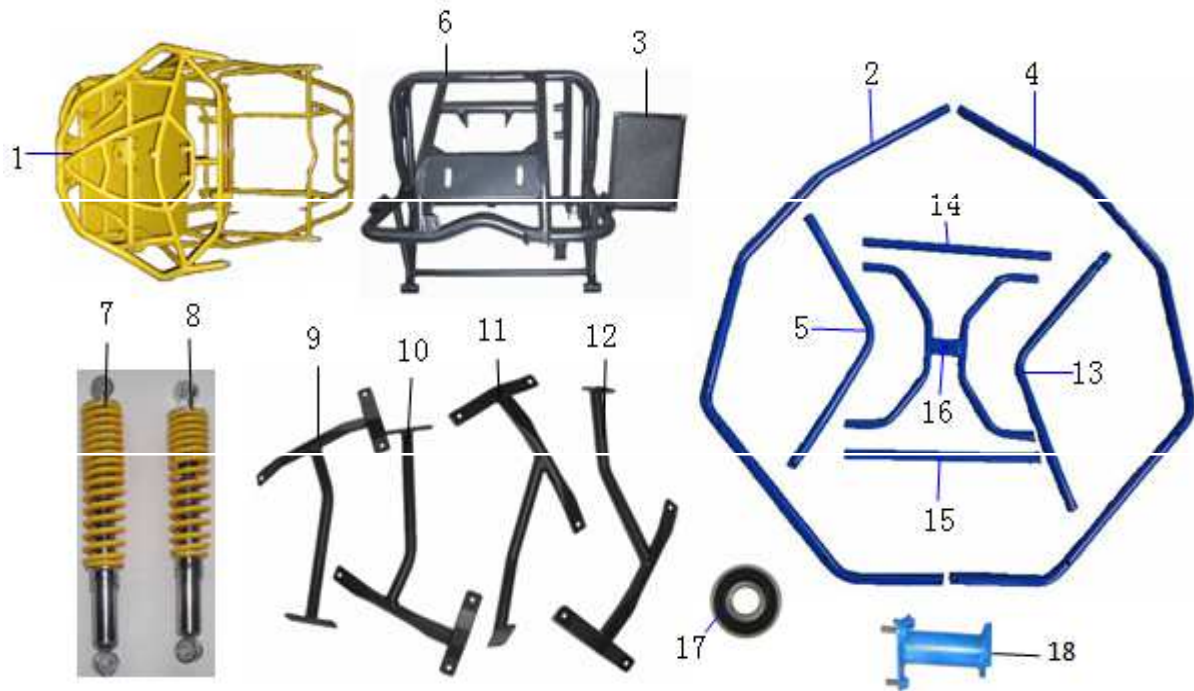
序	件号	中文名称	英文名称	数量	单价	
NO	Code name	Chinese	Description	Q'ty	¥	\$
1	231006-0601	Z125-2#离合器主动盘组件	DRIVE PLATE COMP	1		
2	231006-0602	Z100离合器定心滑套	ALIGNING SLIDING BUSH	1		
3	231006-0603	Z125-2#离合器缓冲套	CLUTCH DASH POT SLIPCOVER	3		
4	231006-0604	Z125-2#离合器上板组合	CLUTCH TOP PLATE	1		
5	231006-0605	Z100离合器从动摩擦片	OUTER FRICTION DISK A	2		
6	231006-0606	Z100离合器主动摩擦片	DRIVE FRICTION DISK	1		
7	231006-0607	Z100离合器下板组合	CLUTCH BELOW PLATE	1		
8	231006-0608	70离合器挡圈	ELASTIC CHECK RING	1		
9	231006-0609	Z100离合器缓冲弹簧片	SHOCK ABSORBER PLATE	1		
10	231006-0610	GB894.1挡圈45	CIRCLIP 45	1		
11	231006-0611	70主动齿座圈衬套	SLEEVE	1		
12	231006-0612	轴承(6000)	BEARING (6000)	4		
13	231006-0613	GB819.2螺钉M5×12(白锌)	SCREW M5×12	1		
14	231006-0614	Z100离合器端盖	END COVER, CLUTCH	1		
15	231006-0615	70离合器锁紧螺母	LOCK NUT, CLUTCH	1		
16	231006-0616	70离合器碟形垫圈	DISH WASHER, CLUTCH	1		
17	231006-0617	Z100离合器端盖密封垫	GASKET, END COVER	1		
18	231006-0618	70主轴齿轮卡圈	CIRCLIP	1		
19	231006-0619	Z100从动齿组合	DRIVEN GEAR COMP	1		
20	231006-0620	Z100主动齿	PRIMARY DRIVE GEAR	1		
21	231006-0621	Z100主动齿轮轴套	AXLE SLEEVE	1		

电启动机构 ELECTRIC STARTING MECHANISM



序	件号	中文名称	英文名称	数量	单价	
NO	Code name	Chinese	Description	Q'ty	¥	\$
1	231006-0504	GB16674小盘螺栓M6×50(兰白锌)	BOLT M6×50	3		
2	231006-1501	S125D启动电机部件(机座8801 机壳兰白锌 DJ7022A-7.8-11 双线L:220)	STARTING MOTOR ASSY	1		
3	231006-1502	S125D启动电机O形密封圈52.5×2(丁腈胶)	O-RING 52.5×2	1		
4	231006-1503	C100启动电机小链轮	SPROCKET	1		
5	231006-1504	S125D启动链条组合(62节加厚)	STARTING MOTOR DRIVE CHAIN	1		
6	231006-1505	C100链条导板组合	ASSEMBLY, GUIDE PLATE	1		
7	231006-1506	C100链条护板组合	ASSEMBLY, CHAIN PROTECT PLATE	1		
8	231006-1507	GB894.1挡圈11	CIRCLIP 11	1		
9	231006-1508	GB5783螺栓M6×12(白锌)	BOLT M6×12	1		
10	231006-1509	C100启动链轮定位板	PLATE, START CLUTCH	1		
11	231006-1510	70定子盘O形圈6.5×1.8(丁腈胶)	O-RING 6.5×1.8	2		
12	231006-1511	C100隔油盘组件	DISK INSULATOR	1		
13	231006-1512	C100隔油盘O形圈106.8×2(氟硅胶)	O-RING 106.8×2	1		
14	231006-1513	C100隔油盘	DISK INSULATOR	1		
15	231006-1514	C100定子盘油封30×42×4.5(丁腈胶)	OIL SEAL 30×42×4.5	1		
16	231006-1515	GB819.1螺钉M6×16(白锌)	SCREW M6×16	2		
17	231006-1516	C100-7#启动大链轮组件	PLATE GEAR ASSY	1		
18	231006-1517	C100-7#启动大链轮组合(隔油盘端外径30.3mm)	PLATE GEAR ASSY	1		
19	231006-1518	C100链轮油封19×30×5(丁腈胶)	OIL SEAL 19×30×5	1		

车架及车架附件、棚架 Frame and accessories, Roll Bar



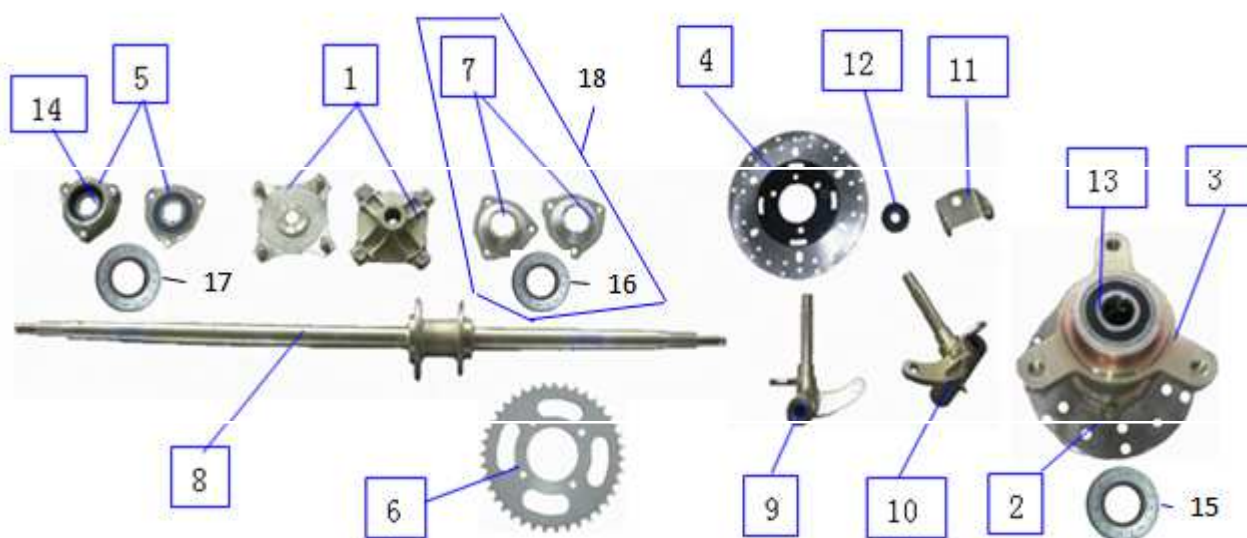
序	件号	中文名称	英文名称	数量	单价	
NO	Code name	Chinese	Description	Q'ty	¥	\$
1	0201-125GKA-H	车架	Frame	1		
2	02010069	左蓬架	Top Roof(L.)	1		
3	02010084	后装饰网	Rear Decorative Mesh	1		
4	02010070	右蓬架	Top Roof(R.)	1		
5	02010823	侧棚架左	Side Frame L.	1		
6	02010076	后桥托架总成	Rear axle of bracket Assy	1		
7	07010010	后减震	Rear shock absorber	2		
8	07010009	前减震	Front shock absorber	2		
9	02010072	前档泥板支架(左)	Front fender bracket (L.)	1		
10	02010073	前档泥板支架(右)	Front fender bracket (R.)	1		
11	02010074	后档泥板支架(左)	Rear fender bracket (L.)	1		
12	02010075	后档泥板支架(右)	Rear fender bracket (R.)	1		
13	02010824	侧棚架右	Side Frame R.	1		
14	02010998	棚架中间连接管(长)	Intermediate Junction(Long)	1		
15	02010071	棚架中间连接管(短)	Intermediate Junction(Short)	1		
16	02010826	后棚架	Top Roof(Rear)	1		
17	12030021	轴承6903	Bearing 6903	2		
18	02010827	备胎架	Spare Wheel Carrier	1		

油箱、开关、消声器 Fuel tank, Switches, Muffler



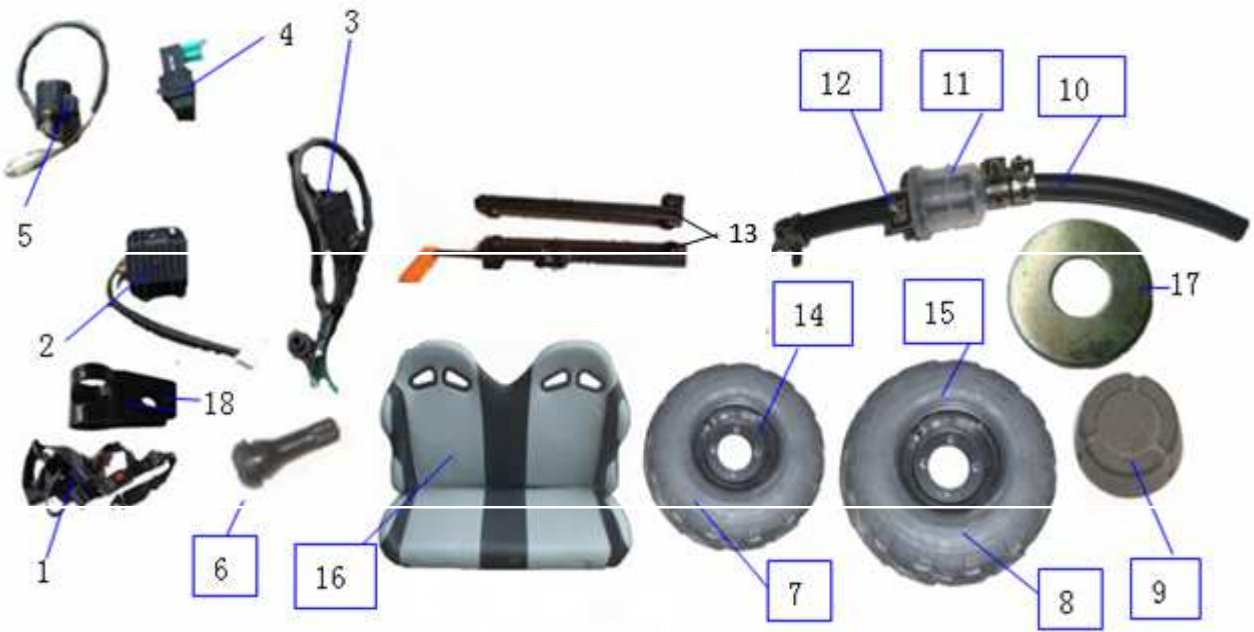
序 NO	件 号 Code name	中文名称 Chinese	英文名称 Description	数量 Q'ty	单价	
					¥	\$
1	05030004	油箱	Fuel tank	1		
2	10040058	6升传感器	Sensor	1		
3	05050003	6升油箱盖	Fuel tank cap	1		
4	03030035	前挡泥板350*160	Front fender 350*160	2		
5	03030036	后挡泥板430*185	Rear fender 430*185	2		
6	10060003	油箱开关	Fuel tank switch	1		
7	01040004	空滤器	Air filter	1		
8	10080018	电门锁	Lock	1		
9	03030580	仪表板	Instrument board	1		
10	10010010	大灯开关	Headlight Switch	1		
11	10010074	小转向灯开关	Small Turn Signal Switch	1		
12	10010068	喇叭开关	Horn Switch	1		
13	01050006	消声器	Muffler	1		
14	01990001	二次补气装置(简易)	twice adding air	1		
15	01990020	石棉垫	Asbestos mat	1		
16	03990005	棚架帆布(前)	Front Canvas	2		
17	03990004	前三角帆布	Front Triangle Canvas	1		
18	03990003	顶棚帆布	Top Roof Canvas	1		
19	05050006	滤网	Filter Mesh	1		

后轴、前转角 Rear Axle, Steering Angel



序	件号	中文名称	英文名称	数量	单价	
NO	Code name	Chinese	Description	Q'ty	¥	\$
1	02040015	轮毂座总成	Rear Wheel Hub Assy	2		
2	04020002	前碟刹盘105mm	Front disc brake 105mm	2		
3	02040018	前轮毂座总成	Front wheel hub seat Assy	2		
4	04020004	后碟刹盘	Rear brake disc	1		
5	02040012	轴承座组件	Bearing Seat Assy	2		
6	02040115	链盘	Sprocket	1		
7	02040009	轴承座防尘盖	Bearing Seat Dust Cap	2		
8	02040014	后桥轴总成	Rear axle Assy	1		
9	02030013	前左转向角	Front steeling (L.)	1		
10	02030014	前右转向角	Front steeling (R.)	1		
11	02030016	前转向角固定板	Front Steeling Retaining Plate	4		
12	12020004	摇臂橡胶防尘盖M10	Rocking shaft rubber dust cap	4		
13	12030013	轴承6202	Bearing 6202	2		
14	12030020	轴承6305	Bearing 6305	2		
15	12040003	油封20*35*7	Oil Seal 20*35*7	2		
16	12040018	油封 $\phi 42 \times \phi 25 \times 7$	Oil Seal $\phi 42 \times \phi 25 \times 7$	2		
17	12040019	油封 $\phi 50 \times \phi 28 \times 8$	Oil Seal $\phi 50 \times \phi 28 \times 8$	2		
18	02040005	轴承座防尘盖组件	Bearing Seat Cover	2		

碟刹、坐垫、轮胎、电器 Seat, Tire, Electrical components



序	件号	中文名称	英文名称	数量	单价	
NO	Code name	Chinese	Description	Q'ty	¥	\$
1	05020001	安全带	Safety Belt	2		
2	01020008	整流器	Rectifier	1		
3	01020010	高压包	Ignition coil	1		
4	01020052	点火器	Igniter	1		
5	01020021	继电器	Relay	1		
6	190016	气门嘴	Cycle valve	4		
7	06010004	轮胎145/70-6	Tyre 145/70-6	2		
8	06010005	轮胎16*8-7	Tyre 16*8-7	2		
9	12020001	轮毂防尘盖(小)	Dust Cover(S)	4		
10	06030002	油管4.5/8.5	Oil tube 4.5/8.5	40		
11	12010007	油管夹8.5	Oil tube Clamp 8.5	4		
12	06990001	二级过滤器	Twice air filter	1		
13	05020020	坐垫滑轨	Seat Slide Rail	1付		
14	02040004	前钢圈6*4.5	Iron Rim 6*4.5	2		
15	02040013	后钢圈7*5.0	Iron Rim 7*5.0	2		
16	05010004	坐垫	Seat	1		
17	12020007	摇臂全铁防尘盖16*47*6	iron dust cap 16*47*6	2		
18	12990004	碟刹管线夹		8		

